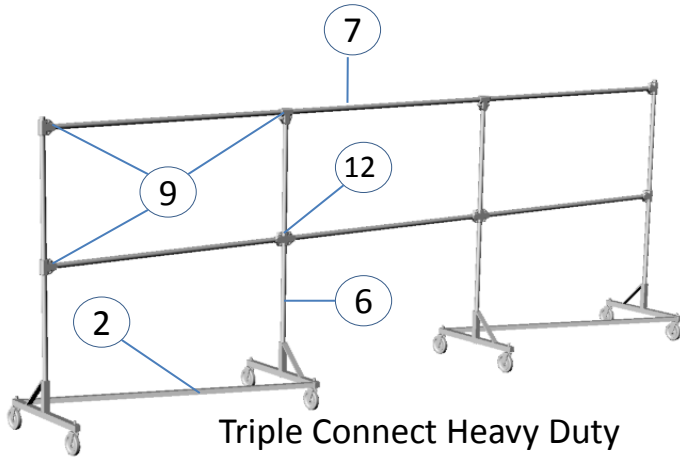


Assembly Instructions

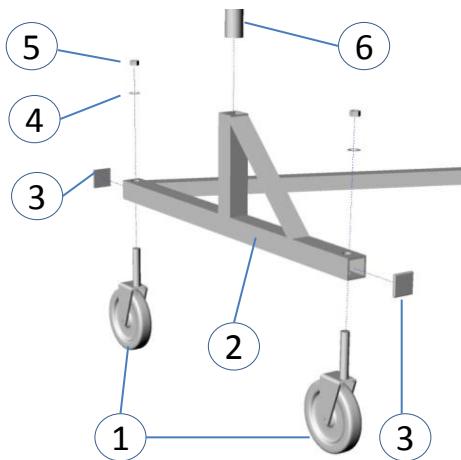
Tools Required: Adjustable wrench (or 1/2, 11/16, box wrench), hammer.

PARTS LIST

1. Stem Swivel Caster (x8)
2. Garment Rack Frame (x2)
3. Square End Cap (x8)
4. 7/16" Lock washer (x8)
5. 7/16" Hex Nut (x8)
6. Upright Bar (x4)
7. Top Rail Bar (x6)
8. 5/16" Carriage Bolt (x12)
9. 1"x1" Brace Clamp (x6 / 12 pieces)
10. 5/16" Kep Nut (x12)
11. Round End Cap (x2)
12. 1"x1" Malleable " Brace Clamp (x2/ 4 pcs.)
13. 3/8" Carriage Bolt (x8)
14. 3/8" Locking Nut (x8)



**Triple Connect Heavy Duty
Garment Z-Rack : Double Rail**



Assembly Instructions – Frame

1. Insert Casters (1) into frame (2) and Tighten 7/16" lock washer (4) and 7/16" hex nut (5).
2. Insert upright Bars (6).
3. Insert Square end caps (3) into Frame.

Assembly Instructions – Brackets

1. Attach top rail bar (7) and Upright Bar (6) using brace clamps (9), 5/16" carriage bolts (8) and 5/16" kep nuts (10).

2. Repeat previous step using (12) in lieu of (9) to connect middle sections with (7) and (6).
3. Insert round end caps (11) into upright bars (6).
4. Assemble Top and Bottom assemblies to complete the Z-Rack.

