

Steering Handle Instructions



Quality Fabricators®

ZRACKS.COM

1-877-637-3712

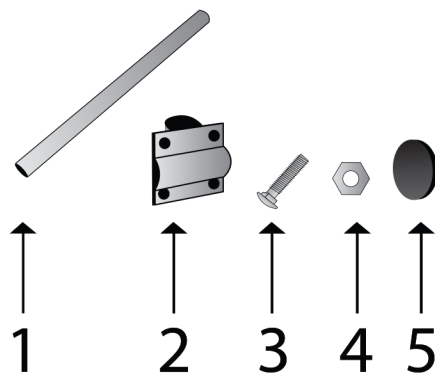
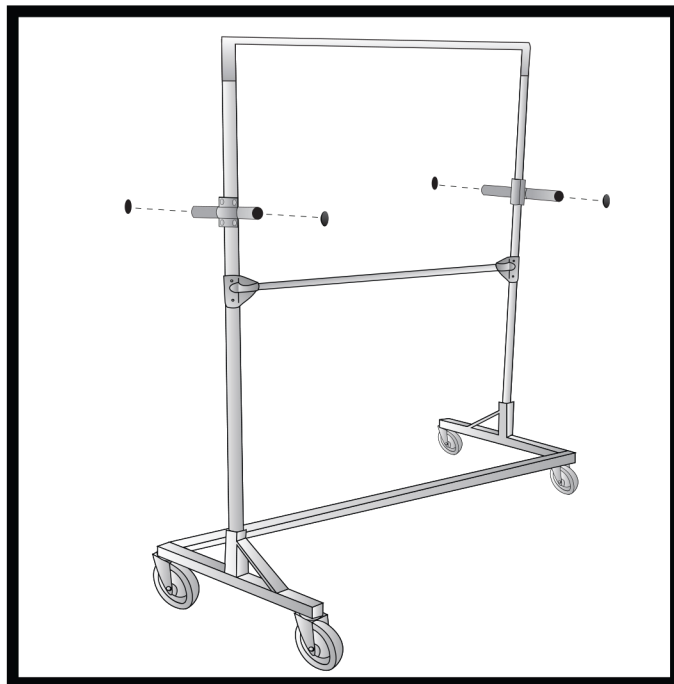
Steering Handle

PARTS LIST

1. 22.5 Steering Bar (x1)
2. Cross Clamp (x1/2 pieces)
3. 5/16" Carriage Bolt (x2)
4. 5/16" Kep Nut (x2)
5. Round End Caps (x2)

ASSEMBLY INSTRUCTIONS

1. Attach steering bar at the desired height on upright using cross clamps (2), 5/16" carriage bolts (3), and 5/16" nuts (4), endcaps (5) will need to be hammered on.



Tools Required: Adjustable wrench (or 1/2, 11/16 box wrench), hammer.