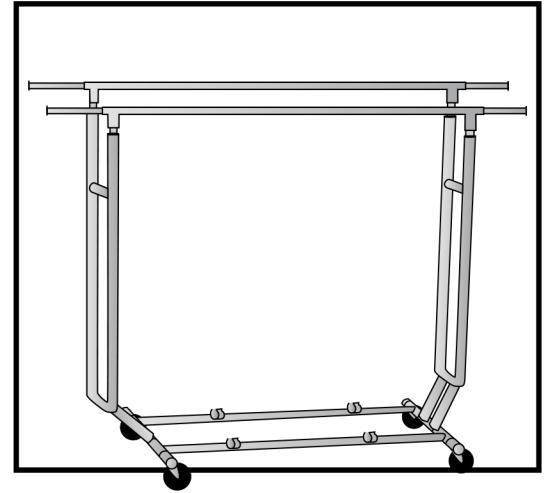


Assembly Instructions

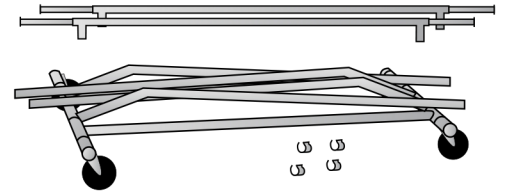


Double Collapsible Salesman (666742)



PARTS LIST

1. Base with upright arms (x1)
2. Casters (x4)
3. Hangbar (x2)
4. Clamps (x4)
5. Screws (x4)
6. Washers (x4)



ASSEMBLY INSTRUCTIONS

1. Remove rack from carton.
2. Place rack on ground and unfold upright arms.
3. Insert two hang bars on the four upright arms.
4. If NEEDED: Attach 4 clamps to base with supplied screws and washers. These clamps can hold hang rails when not in use.
5. Extend pull-out extensions if needed.

